

LED PAR56 Swimming Pool Lamp

16.5 W



DATA SHEET

Product information

Tungsrang proudly presents the latest generation of LED PAR56. This design is in line with future regulations with the same aesthetics as the less efficient traditional swimming pool lamps that will no longer be allowed on EU markets from September 2021. With improved CRI and a more efficient design this swimming pool lamp is a true retrofit solution.

Features & Benefits

- "F" Energy Class
- Useful lumens up to 1420 lm
- 25,000 Life hours at L70
- Available in 3000K and 6500K
- Beam Angle - 90°
- Suitable for wet location (IP68 excluding terminals)
- Retrofit 12V Screw type terminal
- Glass housing
- Warranty: 2 years with maximum 8000 burning hours according to Tungsrang Standard Warranty conditions

Compliance

EN 55015:2013+A1:2015 Limits and methods of measurement of radio disturbance characteristics of electrical lighting and similar equipment

EN 61547:2009 Equipment for general lighting purposes – EMC immunity requirements

The LED PAR56 Pool Lamp is suitable for installation in Swimming pools. It is not suitable for indoor/household illumination purposes.

Specification summary

Product code	Product code (Direct Shipment)	Product Description	Nominal/ Rated Power (W)	Cap/ Base	Nominal/ Rated Beam Angle (°)	Nominal/ Rated Lumens (lm)	Rated Peak Intensity (cd)	Nominal/ Rated Life (L70/B50 hours)	CCT (K)	Energy Efficiency Class
93119174	93119196	LED PAR56 12V AC 16.5W 830 IP68 90°	16.5	Screw Terminal	90	1340	650	25 000	3000	F
93119175	93119197	LED PAR56 12V AC 16.5W 865 IP68 90°	16.5		90	1420	650	25 000	6500	F

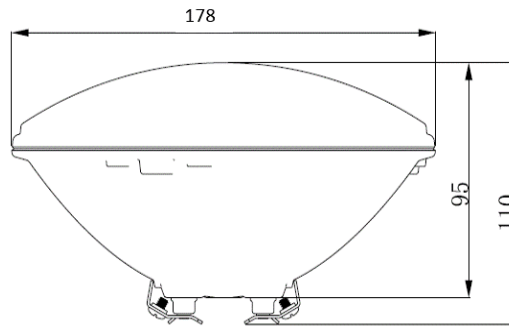
Energy efficiency class (A-G)*



Common attributes

- Colour Rendering Index 80
- Input Voltage: 12V
- Warm up time: Instant on
- Power factor: 0.9

Dimensions (mm)



Recommended operation temperature

Ambient temperature range -20°C to 40°C.

PAR56 Desired outputs

Ths Max for L70	60°C
-----------------	------

Ths Max for B50	60°C
-----------------	------

Thermal test point



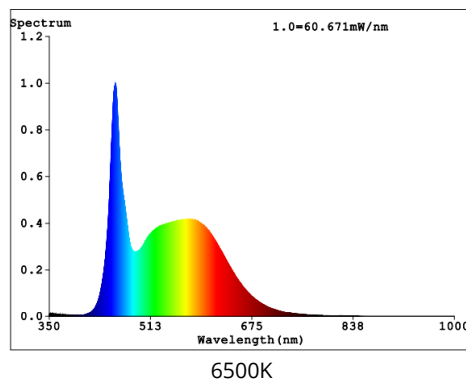
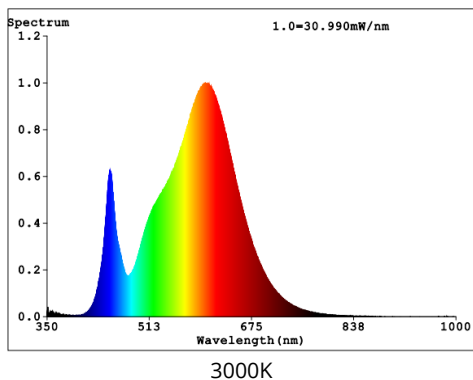
Packaging image



Operation and maintenance

- Store and use the lamps the same way as traditional halogen or incandescent lamps.
- Lamp and lamp holder should be kept free from contamination.
- Do not use if the bulb is broken.
- Ensure lamp is cool before removing.
- This LED PAR56 replacement is a non-dimmable lamp
- Not for accent lighting
- Lamp to be used within a luminaire.
- Use with electromagnetic transformer only.

Spectral distributions



All values 180-400nm are 0